



XT Series

Retail counter service scales



Trusted and Accurate





Contents

- > At a glance Specifications
- > Hardware
- > Scale Interfaces
- > Operating Modes
- > Tables
- > Barcodes types & formats
- > Re-pricing
- > Traceability
- > System Functions
- > Machine Data
- > MX System Software
- > Kits
- > Shipping Specification
- > XTs100/XTi100/XTx100/101 Dimensions
- > XTs/XTi200 Dimensions
- > XTi/XTx300 Dimensions
- > XTs400 Dimensions
- > XTi400 Dimensions
- > XTs/XTi/XTx420 Dimensions
- > XTs500 Dimensions
- > XTs/XTi600 Dimensions
- > XTs700 Dimensions



XT Series

At a Glance Specifications

General Description

The XT Series provides a complete set of scales and printers, covering the different requirements of fresh food counters, self-service, pre-pack areas and point-of-sale areas for supermarkets and speciality stores. The scales may be used in stand-alone mode or networked together to form departmental systems. In addition, the different departments can be networked together and connected to a back-office computer to form store-wide or centrally-managed networks. The scales can operate in a number of different modes, printing individual labels for each item or combining the shoppers' items together and printing a single receipt. Significantly, the scales are based on PC architecture, running Windows or Linux operating systems. This gives them full flexibility for integration of third-party devices and for running third-party software.

The XT series covers three ranges of products:



Having 7" colour display for the operator and a tactile numeric keyboard;
Linux operating system



Having 10.2" display for the operator as standard; with the option
of larger displays on XT_i420 and XT_i300; Linux operating system



Having 10.2" display for the operator as standard; with the option
of larger displays on XT_x420 and XT_x300; Windows operating system





XT Series

At a Glance Specifications



XTs100

- > Monobloc model
- > Ideal for where vertical space is limited
- > Cassette label/receipt printer in base
- > 15kg AVR capacity
Optional capacity: 6kg AVR

XTs200

- > Raised customer display model
- > Cassette label/receipt printer in base
- > 15kg AVR capacity

XTs400

- > Raised operator and customer displays
- > Maintain eye contact whilst serving customers
- > 7 inch or 10 inch customer display options
- > Reduced footprint model
- > Cassette label/receipt printer in base
- > 15kg AVR capacity

XTs420

- > Raised operator and customer displays
- > Maintain eye contact whilst serving customers
- > Reduced footprint model
- > Dual label/receipt printers: clamshell and cassette
- > 15kg AVR



XTs500

- > Hanging scale for wet areas
Ideal for fishmongers
- > Cassette label/receipt printer in base
- > 15kg AVR

XTs600

- > Non-weighing model
- > Ideal for bakery print use or as an EPOS terminal
- > Can be paired with an external platform scale or wrapper
- > Cassette label/receipt printer in base

XTs700

- > Complementary second printer
- > Print on larger labels for complete label flexibility
- > Ideal for pre-pack situations, counter mode or self-service use when paired with another scale
- > Cassette label/receipt printer in base



XT Series

At a Glance Specifications



XTi100

- > Monobloc model
- > 10 inch operator touchscreen and 7 inch customer-facing display
- > Ideal for where vertical space is limited
- > Cassette label/receipt printer in base
- > 15kg AVR capacity
- > Optional capacity: 6kg AVR, 30kg x 5g

XTi200

- > Raised customer display model
- > 10 inch operator touchscreen and 7 inch customer facing display
- > Cassette label/receipt printer in base
- > 15kg AVR capacity
- > Optional capacity: 30kg x 5g

XTi300

- > Self-service model
- > Large 18.5 inch touchscreen for easy self-service use
- > Cassette label/receipt printer in base
- > 15kg AVR capacity

XTi400

- > Raised operator and customer displays
- > Maintain eye contact whilst serving customers
- > 10 inch operator touchscreen
- > 7 inch or 10 inch customer display option
- > Reduced footprint model
- > Cassette label/receipt printer in base
- > 15kg AVR capacity



XTi420

- > Raised operator and customer displays
- > Maintain eye contact whilst serving customers
- > 10 inch or 13 inch operator touchscreen option
- > 10 inch customer-facing display
- > Reduced footprint model
- > Dual label/receipt printers: clamshell and cassette
- > 15kg AVR capacity



XTi600

- > Non-weighing model
- > Ideal for bakery print use or as an EPOS terminal
- > Can be paired with an external platform scale or wrapper
- > Cassette label/receipt printer in base



- > A number of XTi scales are also available with Windows embedded: XTx100/XTx101, XTx300, XTx420





XT Series

At a Glance Specifications

| | | |
|-------------------------|---|--|
| Dimensions | Feet locations (spacing w x d) | Approx. 270 x 217 / 230mm |
| | Mono | XTs/XTi/XTx100/101 408 x 466 x 156mm (w x d x h) |
| | Mono + tower | XTs/XTi/XTx200 408 x 493 x 528mm |
| | Self-Service | XTi/XTx300 408 x 410 x 610mm |
| | Two-piece - base printer | XTs/XTi400 408 x 405 x 528mm |
| | Two-piece - dual printer | XTs/XTi/XTx420 408 x 478 x 502mm |
| | Hanging | XTs500 408 x 312 x 775mm (inc. scoop fitting) |
| | Non-weigh ECR/pre-pack printer | XTs/XTi600 268 x 325 x 364mm |
| | Non-weigh pre-pack printer | XTs700 268 x 325 x 176mm |
| Metrology | Standard capacities | 15kg AVR, 15kg x 5g, 30lb x 0.01lb |
| | Options | 6kg AVR, 30kg x 5g, 50lb x 0.01lb |
| | Out-of-level compensation | Yes - ValuMax© (not available on XTs500/XTs600/XTi600) |
| | Protected metrology unit (service electronics without need to re-stamp/break seals) | Yes |
| Power | Power supply - rating & type | 100-240VAc, 50/60 Hz, Internal |
| Technology base | Processor | Intel Atom, 1.46GHz |
| | System memory | Up to 8GB (2GB default) |
| | Solid State Disk | 8GB (Linux OS) 32GB mSATA (Windows OS) |
| Networking: inter-scale | Inter-scale network | Ethernet, 10/100/1gb base-T auto switch |
| | Number of scales per network | Limited by system performance only |
| Networking | Networking host I/f | Ethernet as standard |
| | Number of host networks/servers | Unlimited |
| RF Comms | RF: inter-scale and host | Optional: external USB WiFi device - 802.11b/g/n |
| Displays | Operator display | Options of: 7" active colour WVGA TFT: 800 x 480; 10.2" colour TFT SVGA 1024 x 600; 13.3" colour TFT SVGA 1024 x 600; mounted on tiltable fixture XTi/XTx300 only: 18.5" colour TFT SVGA 1024 x 600 |
| | Customer display | Options of: 7" active colour WVGA TFT: 800 x 480; 10.2" colour TFT SVGA 1024 x 600; (Not available on XTi100 or XTx100/101) |



XT Series

At a Glance Specifications

| | | |
|--|--|--|
| Interfaces | | 5 x USB interfaces (number that are external is dependent on machine variant) |
| USB memory device support | | Yes |
| Sound | | Full sound system with speaker |
| Keyboard | Keyboard type | 7" touch with 20 additional programmable keys and tactile numeric keypad. Resistive 5-wire touch screen (dimensions dependent on screen size) |
| Label / receipt printer (Integrated within the scale or as XTs/XTi600 / XTs700) | Cassette | Yes, single action |
| | Label/receipt roll diameter | 120mm |
| | Max print width | 70mm |
| | Edge-to-edge printing @ max print width | Yes |
| | Backwind | Yes |
| | Max paper width | 72mm |
| | Maximum print length | 300mm |
| | Print speed | 150mm/s |
| Label / receipt printer general | User-replaceable print head | Yes |
| | Easy-to-load graphics on labels save on pre-printing | Yes |
| | High-resolution grey-scale printing | Automatic grey-scale printing from any black and white or colour graphic |
| | Print-head monitoring/warning | Yes - 'Codechecker' – this extends usable printhead life and printing of scannable barcodes. |
| Raised printer (XTs/XTi/XTx420) | Roll diameter | 100mm |
| | Max print width | 56mm |
| | Max paper width | 60mm |
| | Print Speed | 100mm/s |
| | Linerless adhesive paper | Yes, standard |
| | Drop-in paper loading | Yes |
| Modes | Label | Yes |
| | Receipt | Yes |
| | ECR | Yes. full |
| | Pre-pack | Yes |

XT Series Hardware



Processor & Memory

XT Series uses an Intel Atom processor running at 1.46GHz.

There is up to 8GB of shared system memory (2GB default); for Linux environments there is 8GB Flash memory while for Windows a 32GB Solid State Drive is provided. The number of PLUs that can be stored varies with the number and lengths of various texts stored, but the user is never likely to approach the limits of the memory available.

Weighing

All models are available as 15kg AVR, which gives 2g increments up to 6kg and 5g increments from 6kg up to 15kg. XT_s100, XT_i100 and XT_x100/101 are optionally available as 6kg AVR; XT_i100/200 and XT_x100/101 are also optionally available as 30kg x 5g.

Every XT scale has a load-cell that is sealed to meet metrological requirements, whilst also enabling the main components outside the weighing mechanism to be serviced without breaking any Weights and Measures seals.

Valumax

Valumax is a patented technology unique to Avery Berkel XT scales, automatically compensating for out of level conditions that frequently occur with weighing scales. When the scale is out of level it under weighs, resulting in a displayed weight value which is lower than it actually is; Valumax compensates for this and corrects the weight to its real value. This feature can save the retailer many thousands over the lifetime of the scale and also ensures that the scale always meets the requirements of Weights and Measures authorities.

Touch screen & displays

The user interacts primarily with the XT using touch-screen display; this uses five-wire resistive technology and is thus extremely robust. The screen is specifically designed to keep the vulnerable touch-sensitive areas away from knives or other sharp implements often used to scrape out accumulated detritus or residue. All functions such as numeric keypad, fixed function keys and programmable keys (operator, products etc.) appear on the touch-screen display.

The touchscreen and display housing can be set at a variety of angles from near vertical to near horizontal. This enables reflection-free viewing and also easy adaptation to all heights of counter in use around the world.

If the 7" operator display option is preferred, the numeric and fixed function keys are provided by a robust and ergonomic tactile keypad.

The XT_s/XT_i/XT_x100 and XT_s/XT_i200 customer displays are a 7" TFT in WVGA format with 800 x 480 pixels. XT_s400 and XT_s420 models have the option of a 10.2" display.

The displays can be configured to deactivate after a specified period of inactivity, and the machine can be set to turn off the displays at a specified time. These features reduce power consumption by up to 80% (depending on configuration) when not printing.





XT Series Hardware

Printing

Most XT models make use of a label or receipt cassette printer mounted in the base.

The XTs/XTi/XTx420 has both the head-mounted receipt printer and lower-mounted label/receipt cassette printer.

Label/receipt cassette printer

This is a heavy duty printer with dual motors, one driving the paper feed and one the paper take-up.

The cassette system is single-action removal, meaning that to remove the cassette you need do nothing more than unlatch the red lever and withdraw the cassette. The print head is automatically disengaged. Additionally, the cassette, side panel and ticket mouth are all one piece, meaning that there is nothing to lose or remove – the scale will always be complete and look its best. The ticket mouth at the front can be flipped down, allowing any paper jam to be easily cleared with the cassette in place.

The cassette itself features devices for ensuring the paper roll is retained when it is out of the printer, and a paper guide. These, together with the take-up reel tensioner, are coloured red so the operator can easily identify which parts can or may need to be adjusted.

Spare cassettes are available in order that when one runs out, it can be exchanged in seconds with a pre-loaded replacement ensuring near-continuous service at the counter.

The printer contains several sensors that inform if the cassette is home, the latch shut properly, etc. This, coupled with on-screen instructions ensures that the cassette is always replaced properly and the latch pushed home. A label-taken sensor is fitted as standard to every XT scale detecting when the label has been taken in order that the label roll can be rewound slightly and thus printing of the next label starts exactly on the edge of the paper. This ensures the entire label can be printed on and reduces paper costs.

The scale also measures the amount of paper remaining on the roll and presents this information on the operator display. This provides early warning of low paper so the operator can schedule the replacement at a suitable time. The amount remaining is calculated from the speed of rotation of the label core and is therefore always correct, irrespective of any roll changes, rebooting of the scale etc.

Print heads are hard-wearing, 70mm wide and are capable of printing up to 16 scales of grey for more realistic image printing. This also means that images used on labels do not need to be dithered or reworked prior to incorporation in the label design. The print heads also benefit from patented Avery Berkel Codechecker technology that monitors the condition of the print head, lengthens its life and helps avoid prolonged queues at checkouts due to non-scanning barcodes. This is also used to display the print-head status in the status bar at the lower edge of the vendor display. Print heads are easily replaced by the user, sliding simply outwards from the main carrier.



XT Series Hardware

Printers

Dual printer

XTs/XTi/XTx420 models have a receipt printer in the upper keyboard/display housing. This also makes use of a cassette system for fast loading of receipt paper. As standard, the printer is equipped with a special roller enabling use of liner-less adhesive paper.

The print head is integrated into the printer and is exchanged by replacing the low-cost print mechanism.

The XTs/XTi/XTx420 also has a cassette label/receipt printer in the base. A common setup is to use the scale for both labels and receipts, printing labels at the cassette printer in the base and receipts on the upper printer.

External printer

The XT700 is a label/receipt printer that can be linked by USB to any of the other XT variants. Providing all the speed and reliability of the mechanism that is used across the XT range, the XT700 gives the busy operator the additional benefit of printing multiple labels of different sizes (e.g. price label and nutritional label) without the disadvantages and delay of changing label stock.





XT Series Scale Interfaces

Interfaces

XT scales have up to 5 USB interfaces. Typically, four of these are located beneath the scale with one intended for a USB WiFi device and the remaining three for peripherals such as scanners or cash drawer.

The fifth USB socket is located in the printer compartment and is intended for connection to a USB mass storage device for local down and upload of scale data or transfer of a scale image. The hanging scale variant has 3 USB interfaces, 2 are located in a compartment on the lower front face of the scale and 1 is located on the top beneath the protective cover.

Inter-scale & host networking

Each XT has 10/100/1Gb Base T Ethernet networking as standard. This enables connection in an inter-scale network as well as connection to a host back office or head office system.

Scales can be configured in client/server arrangement where all data is synchronised between the scales, allowing receipt operation with floating operators.

Alternatively, scales can be grouped in "peers" whereby price changes made on one scale are sent to the remaining peers in the network.

Performance is the only limiting factor on the number of Clients a Server can support.

Resilience is provided by Client scales reverting to using their own database if the network connection is lost. The scale will synchronise its data with the server when network connectivity is restored, therefore item and transaction data is always up-to-date.

Host connected scale networks can be arranged as 'Multi-Server' where each scale operates as an independent Server, each having a direct connection to the Host device. Alternatively the Scale networks can operate as Client Server with the Server being responsible for all Host data transfers. Client Server operation is required for 'floating' transaction systems used for both 'Receipt' and 'Add' modes.

In addition, host names of up to 100 characters can be specified for a particular scale for use in conjunction with DHCP and DNS.

WiFi communications

WiFi communication is available via compatible USB WiFi devices provided by Avery Berkel. Plugged into the underside of the scale, wireless RF communication can be used instead of wired Ethernet.

The supported standard may vary from one device to another but as a minimum, 802.11n with backwards compatibility to 802.11b should be supported. Note that this is dependent on the device and not the scale.



XT Series

Operating Modes

Label Mode

Label mode is used generally for single item, weighed or non-weighed transactions. The system can be set to print on request or automatically once the weight is steady.

Self-service mode

This is a variant of Label Mode, used mostly on fresh produce departments where the public are expected to weigh and label their own produce. The scale will prompt the user to select the item from the large self-service keyboard and place the item on the scale. The label is printed as soon as the weight is steady or on request. This mode is usually used with the XT_i/XT_x300, but it is also possible with the XT_x101, the compromise being the smaller screen size of 10.2" versus the 18.5" of the XT_i/XT_x300.

Pre-pack

An item is selected in the standard way and then fixed, with a label being printed each time the weight changes and returns to a steady weight again.

The label taken sensor ensures that labels are not issued before the last one has been taken.

Non-weighed items can have the labels streamed if required – ie. many labels are printed for the same non-weighed item in one run. This is typically used to quickly label bakery items.

Label formats

Label Formats are fully flexible in layout and can be pre-set for a scale or for each individual item.

The label designer in the MX series of software products can be used to modify the label formats. Up to 45 fields of information can be printed on each format. Fields consist of legends used for variable data such as dates, weight, weight per kg etc, sales messages with fixed text data set against a particular PLU and logos or graphics. All of the above can be rotated to 90, 180 or 270° and the entire label can also be rotated to 0, 90, 180 or 270°.

Printing can be set to individual sticky labels where the gap between labels is sensed or continuous sticky paper which is torn off against the tear bar. Labels on continuous sticky strip will automatically print to the correct length, whereas those on individual labels will need to be designed to fit on the space available.



XT Series

Operating Modes

Receipt mode

Receipt Mode enables a list of transactions to be assigned against an operator and these to be totalised. Additionally, when the scales are networked together, operators may float across several machines, adding transactions as they go.

An unlimited number of operators may be live on each scale network at any one time with name and number printing on the receipt subject to system performance. Receipt formats are largely fixed with a flexible header and footer at the top and bottom. Seven different receipt formats are available although some of these are country-specific and some countries specify that a certain layout or terms must be used.

The void function enables the cancellation of a complete sale or individual transactions prior to closing and printing the receipt. Sales can be limited to those from a specific department by including the Department or Group in the receipt barcode.

Receipts can be printed on continuous adhesive paper or receipt (non-adhesive) paper on the cassette printer and on receipt paper or linerless adhesive printer on the upper receipt printer on XTs/XTi/XTx420 models.

All receipt transactions can be stored and collected and individual receipts reprinted – see the Audit section for further details. These can be reopened and voided as a whole or have individual transactions voided, subject to the feature being enabled

Receipts can also be set up to print a copy immediately after every original.



XT Series

Operating Modes

Mix and Match offer

XT scales provide the ability to have mix and match offers.

The feature is available when the scale operates in receipt mode; it processes all the items in the receipt and allocates them to any offers that may be available to give the best possible saving for the customer.

An offer can be one of: Fixed Price, Money Off, Discount, or Free Gift.

Idle time adverts

The XT can be configured to display a series of adverts – text, image or video whenever the scale has had no key press or weight change for a user-defined period of time. The playlist is defined from media held on the scale and will cycle around back to the beginning when the end is reached. If it is cut short, it will resume with the next advert in the list after the user-defined period of no interaction.

Adverts based on a background image template can be programmed to display automatically for any products on offer.

Nutritional information

Each PLU can be provided with nutritional information if required. A list of nutrients needs to be programmed first, against which, values are then programmed in the PLU records. Nutrient information can be programmed to print either on the same product label, or on a separate label. As well as being able to print individual nutrient values per product, the standard measure (normally 100g) values and RI values can also be printed.

Totals reports

XT allows total reports to be displayed without prior printing. Cash totals provide the ability to include operator declared payment values thereby allowing discrepancies to be identified.

Configurable payment keyboard

Payment keys that are displayed may be customised; this allows machines without a cash-drawer to operate in POS mode but not allow money to be taken.

Coin-counting function

XT is able to count coins as part of cashing-up process; the operator selects the required currency and the scale will calculate the value of the weight of coins using the pre-programmed weight of a single coin.

Macro function

A PLU macro key can be assigned to any operator keyboard; this can display a list of PLUs contained within a group that can be automatically printed.



XT Series

Tables / Barcodes types and formats

System data

The following data tables are used by the scales as data sources. The data stored in tables is referenced from other parts of the software when required.

Tax

Tax rates can be programmed, with up to two tax rates being assigned to PLUs.

Tares

A full range of tare operations is available.

Discount tables

Discount rates are programmable with a maximum of 16 displayed characters for describing the discount rate. The discount value may be disabled or entered as a percentage or value. The security level is applied for discount protection when operating the scale in sales mode.

Add label

You can assign one of the standard label formats to be printed as the add label format, or this can be set to print in a receipt style.

Barcodes types and formats

XT supports the following barcode types:

- > EAN 13
- > EAN 13 Scandinavian.
- > EAN 8
- > UPC 13
- > UPC12
- > EAN 128
- > Code 128
- > Code 39
- > Code 39 extended
- > PDF 417
- > GS1 Databar expanded
- > GS1 Databar stacked
- > GS1 Databar14
- > GS1 Databar limited
- > ITF14
- > QR

The following data may be encoded in the barcode: article number, price, weight, trace code, operator number or department number, group and transaction number.

Weighing and traceability type application identifiers are supported by the EAN 128 barcode format. Barcodes may be programmed to print on receipts, labels, talons or combinations thereof.

The add label barcode format is that which is programmed for that machine's receipt.

Each PLU may be programmed to use one of the configurable barcode formats.



XT Series

Tables / Barcodes types and formats

Header message (sign on) (for receipts only)

The message printed at the top of receipts can be programmed at any scale and is transmitted to all scales in a system, ensuring all machines print identical headers. The header message may be printed multi-line, across the full width of the receipt.

A logo can also be used in addition to, or instead of, the header message and is printed at the top of the receipt.

Footer message (sign off) (for receipts only)

The trailer message printed at the bottom of receipts is programmed at any scale and is transmitted to all scales in a system, ensuring all machines print identical footers. The trailer message may be printed multi-line, across the full width of the receipt.

A logo can also be used in addition to, or instead of, the trailer message and is printed at the bottom of the receipt.

Information labels

Information label references can be set up in order to be assigned to PLUs. An information label is programmed with a description, label format number, preferred integral printer, or XT700 external printer.

When a PLU is served with an associated information label, in label mode, the information label will be printed after the initial product label. In receipt mode, the information label is printed when the PLU is transacted by the operator key.

Information labels can be used for a number of different applications including ingredients, recipes, promotional/merchandising, cooking instructions, coupons and traceability.

Re-pricing

The re-pricing mode is a non-PLU associated method of printing labels, with pricing and barcode information, which are adhered over a product's original price and barcode information. The re-price function requires setting up with default label information, barcode format, whether packs will be weighed and if totals are required to be stored or not.

Traceability

XT scales feature comprehensive options for all types of traceability requirements. Different traceability schemes may be individually programmed, allowing associated products to be tracked through their supply chains. Scheme options include the ability to print user-defined trace information, manual or scannable methods of data input and the ability to reproduce 'traceability passports'. All schemes can be used in either label or receipt modes, allowing counter or pre-pack service operation.

Operator roles

Each operator can be programmed with varying levels of access to specific functions such as price override, manager mode access, discounts etc.

Electronic Fund Transfer (EFT)

XT scales support EFT via Verifone UK terminals connected by Ethernet or WiFi to the scale.



XT Series System Functions

Audit mode

Audit mode records transactions performed on the scale and is activated in Manager Mode.

The filtering option allows the operator to select whether transactions should be stored for Label only, Receipt only or Label and Receipt transactions.

The server buffer is configurable to store receipt or label transactions in a linear or circular format.

Linear can only hold a determined number of transactions and advises the operator when full. Depending on the linear option selected, the operator may or may not override this warning. When overridden, the first transaction stored will be overwritten. If the linear mode has been selected and override is disabled, trading cannot continue until the buffer is emptied by printing or exporting the audit report and clearing the transactions. A circular buffer will continuously write over transactions on a first in, first out basis when the memory becomes full.

A transaction buffer size can be changed in Service Mode, on installation.

Last subtotal

When enabled, last subtotal allows operators to recall the value and number of transactions from the last receipt they transacted, to the display. Reprinting of the receipt is possible.

Pre-pack PLU lock

Dependent upon the setting of the pre-pack PLU lock, in pre-pack mode, PLUs may need to be cleared before a different PLU can be called via the pre-set keyboard. If they are required to be cleared, set as enabled. If they are not to be cleared, set as disabled.

Summary receipts

For networked receipt printing machines to work in 'customer', 'system' or 'receipt scan' mode, summary receipts is required to be set to 'subtotal'. This results in subtotal receipts being produced, which can be recalled using the customer number printed on the receipt, at the PoS.

Customer number

This can be set to be manually entered or system generated. The customer number is only printed on summary receipts.

Customised user help

XT scales have the capability to download HTML or PDF files to provide customised interactive help and operator training materials.

Machine Data

Touch-screen key assignments

Touch keys can be programmed as Bestseller or Quickbuild.

Bestseller automatically sorts the products into a series of keyboards. A product is placed on the keyboard according to the number of times it is traded. Keyboards can be set to update automatically at defined intervals. If a product is replaced, the overall order stays the same so the remaining keys retain their original position.

Quickbuild is a free keyboard configuration built by the user. It is possible to create menu trees or groups of products within a logical menu system and so access hundreds of PLUs within a couple of key presses.



XT Series MX System

PC-based systems software management packages

MX Systems software has been specifically designed to provide a wide range of support software to simplify the management of scale data and product information. It is able to provide a transparent interface between the retailers' primary Item Management module (sometimes the EPoS system), and the mixture of scales in the various departments within the store. Depending on the product offering, MX software is able to cover the needs of large enterprise applications, or businesses with small numbers of scales to manage scale data, label design, keyboard design, media management and traceability schemes.

MX provides dedicated scale management, having functions not generally found in retail business management software (such as extended text editing and label design).

It provides a safe and secure method of maintaining scale data and recovering trading information over large scale estates. Used for the following applications:

- > Head-office scale management system
- > Management of product and related data
- > Configuration of scales
- > Support for M, Xs, XM, XT, XTs, XTi and XTx scales

MX can also be used to track and report on scale asset and configuration data, manage the scale network and remotely take control of the scale. Additionally, it is possible to call back and export scale totals for import into a spreadsheet program such as Microsoft Excel.

Web browser

XT supports web browsers, including those that use Java script, which can be set up to connect to the company intranet or other web-based service. Hyperlink keys to call up specific web pages can be placed on the on-screen slide-out function menu. XT also supports data entry into web based forms, for example in loyalty schemes and waste management. XT also allows web pages to be opened without displaying the web browser window; this enables, for example, php scripts to be run on a web server.



XT Series

Kits / accessories

The following kits are available for XT scales

The following kits are field fit options by a qualified technician:

- > XT WiFi kit with WiFi device
- > XT WiFi kit without device – cover and fixings only
- > XT spare printer cassette
- > XTs 700 mounting kit

The following accessories are available for XT scales and can be fitted / installed by a customer:

- > USB cash drawer converter
- > Low profile stainless steel cash-drawer
- > Economy black cash drawer
- > MS9520 Metrologic Voyager USB Hand Scanner
- > MS7120 Metrologic Orbit Presentation Scanner

Shipping Specification

XTs100, XTi100, XTx100/101

Net: 10.2 kg.
Gross: 12 kg.

Measurement:
510 mm x 500 mm x 320 mm

Number of Packages: One

XTs200, XTi200

Net: 11.5 kg.
Gross: 14 kg.

Measurement:
510 mm x 570 mm x 400 mm

Number of Packages: One

XTi300, XTx300

Net: 14.5 kg.
Gross: 17 kg.

Measurement:
800 mm x 800 mm x 500 mm

Number of Packages: One

XTs400, XTi400

Net: 11.5 kg.
Gross: 14 kg.

Measurement:
510 mm x 510 mm x 390 mm

Number of Packages: One

XTs420, XTi420, XTx420

Net: 13 kg.
Gross: 15.5kg.

Measurement:
510 mm x 500 mm x 500 mm

Number of Packages: One

XTs500

Net: 10 kg.
Gross: 12kg.

Measurement:
510 mm x 510 mm x 390 mm

Number of Packages: One

XTs, XTi600

Net: 8 kg.
Gross: 9.4kg.

Measurement:
440 mm x 380 mm x 490 mm

Number of Packages: One

XTs700

Net: 6.6 kg.
Gross: 8kg.

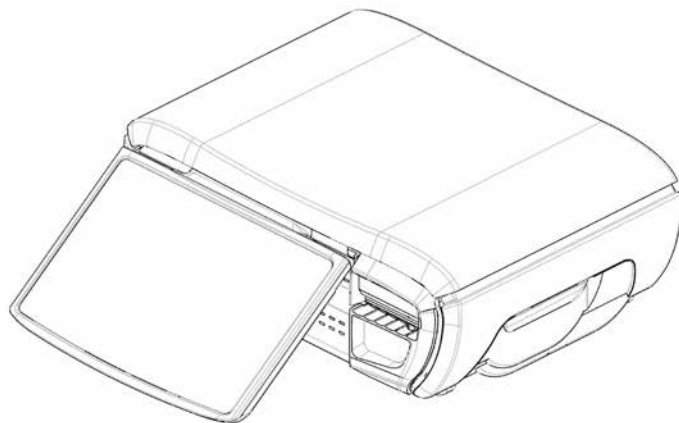
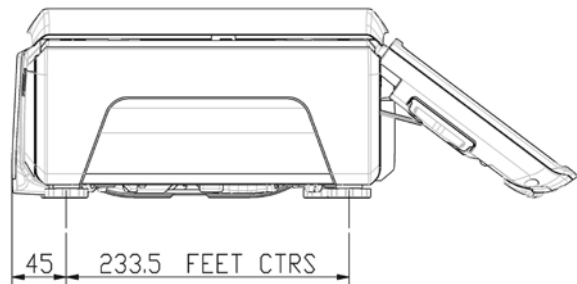
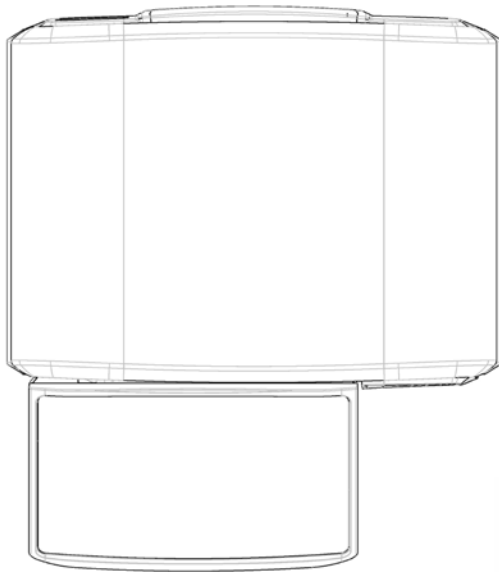
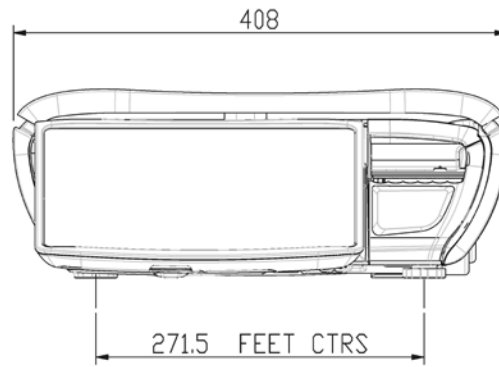
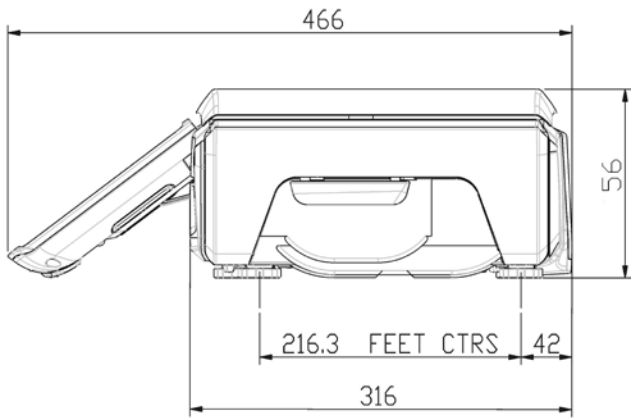
Measurement:
440 mm x 380 mm x 390 mm

Number of Packages: One



XT Series

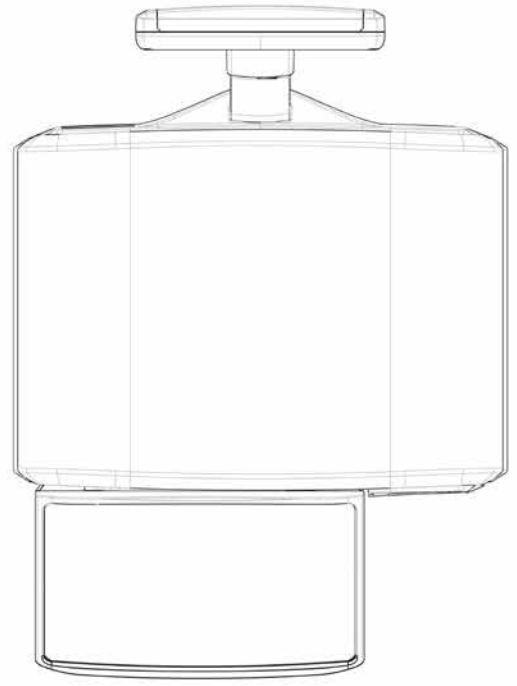
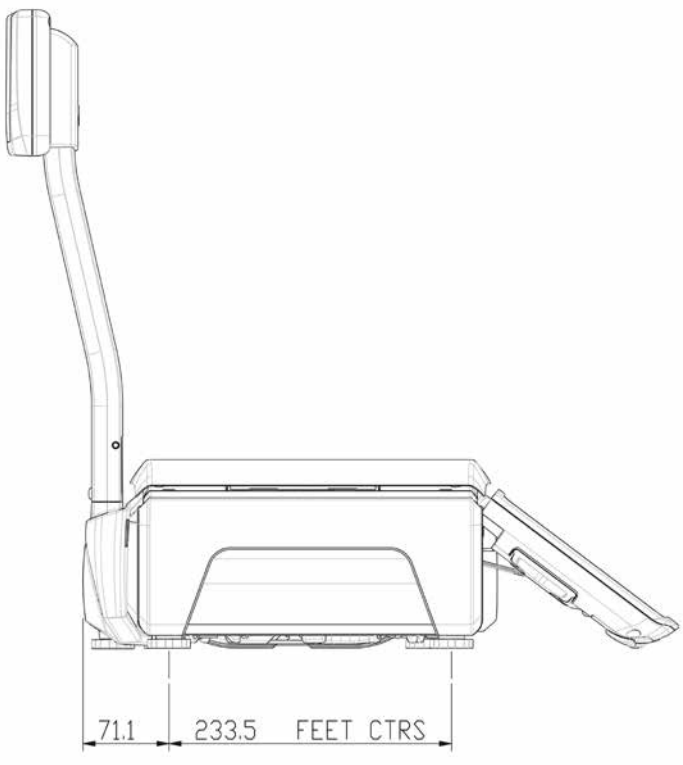
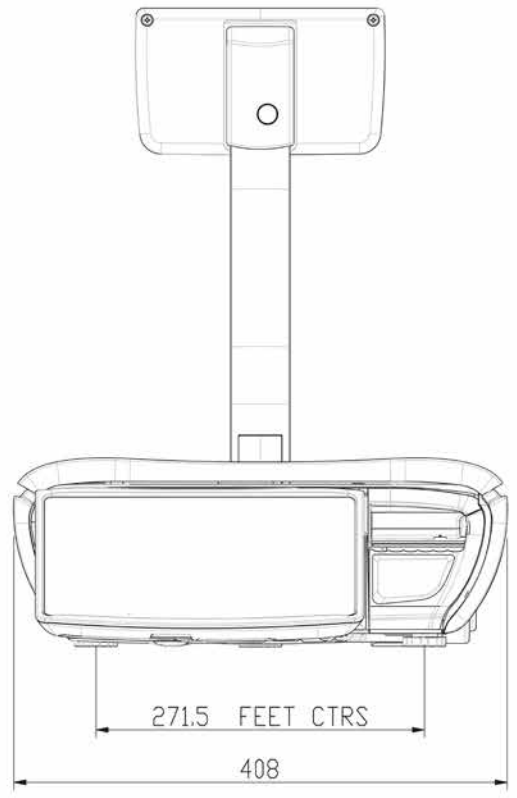
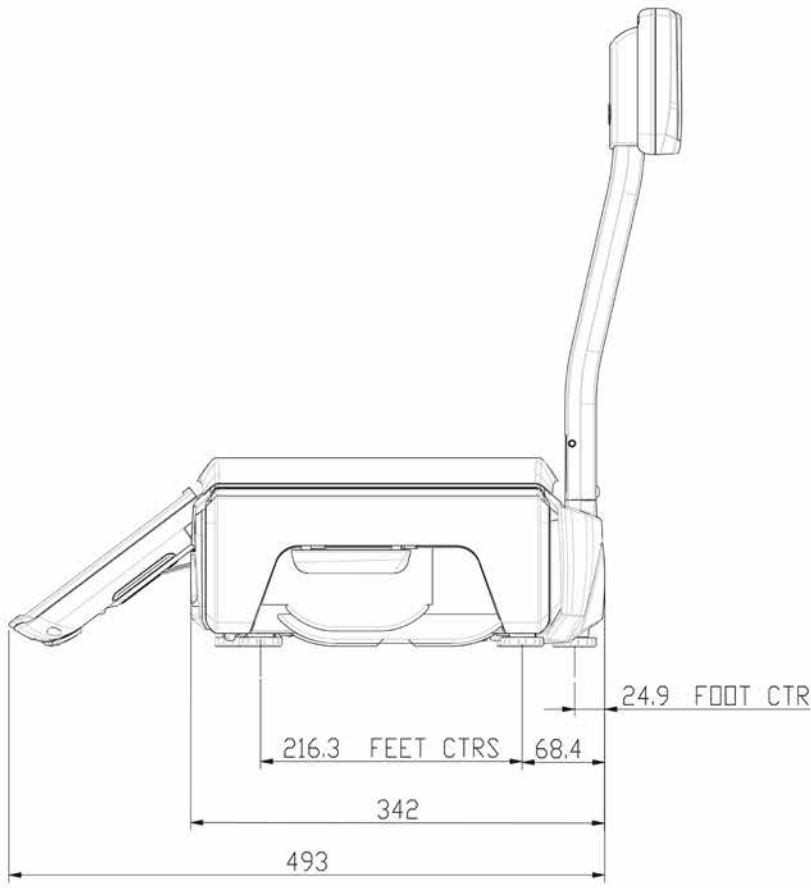
Dimensions - XT_s100/XT_i100/XT_x100/101





XT Series

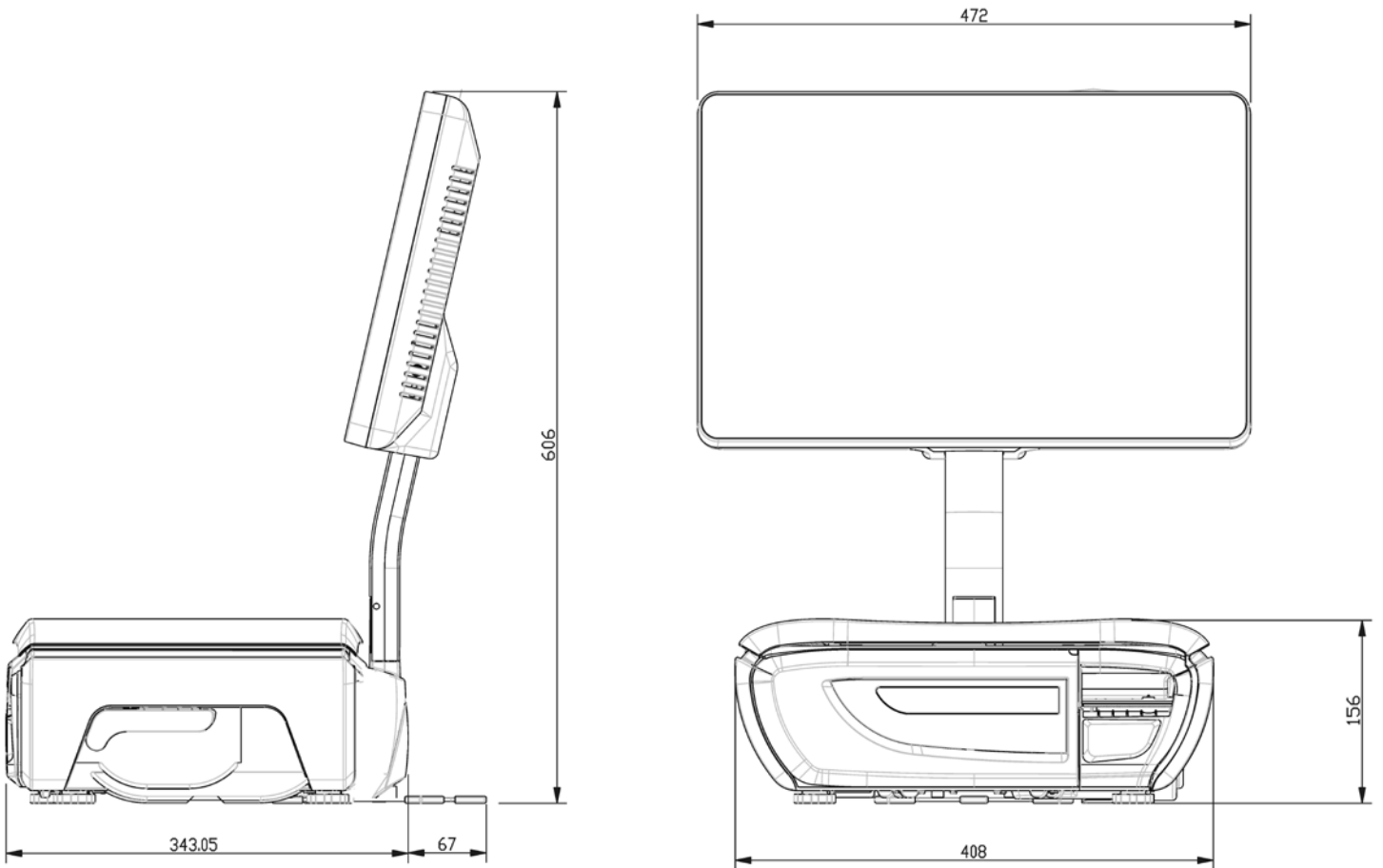
Dimensions - XT_s200/XT_i200





XT Series

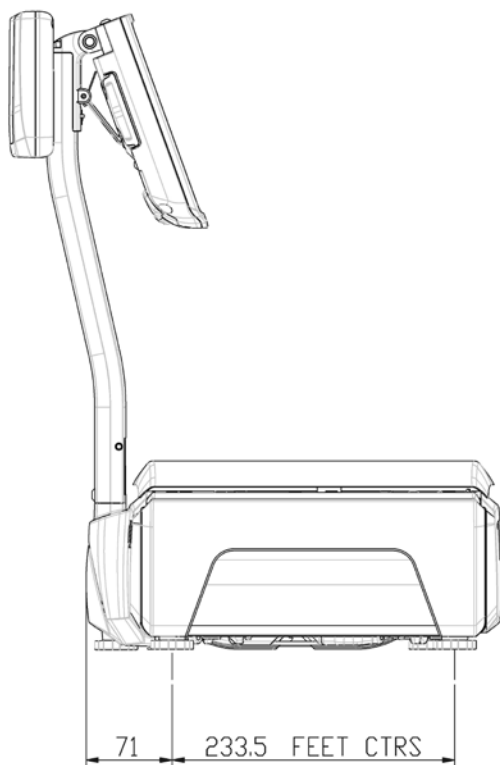
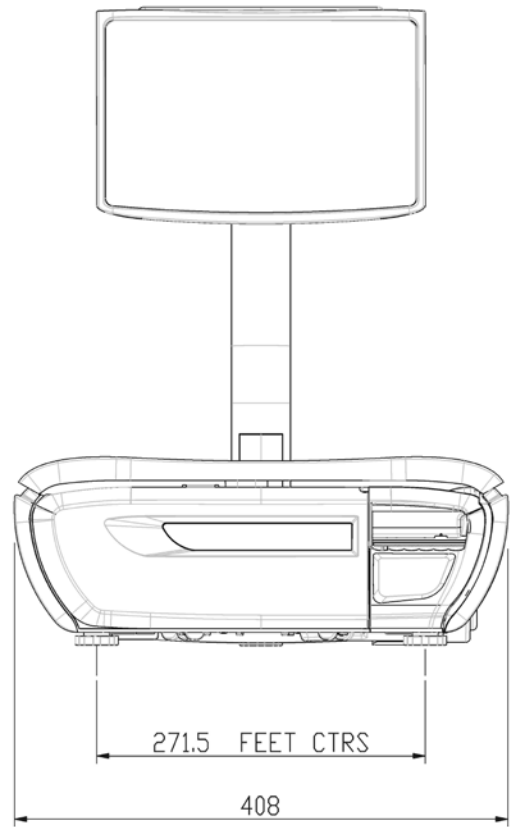
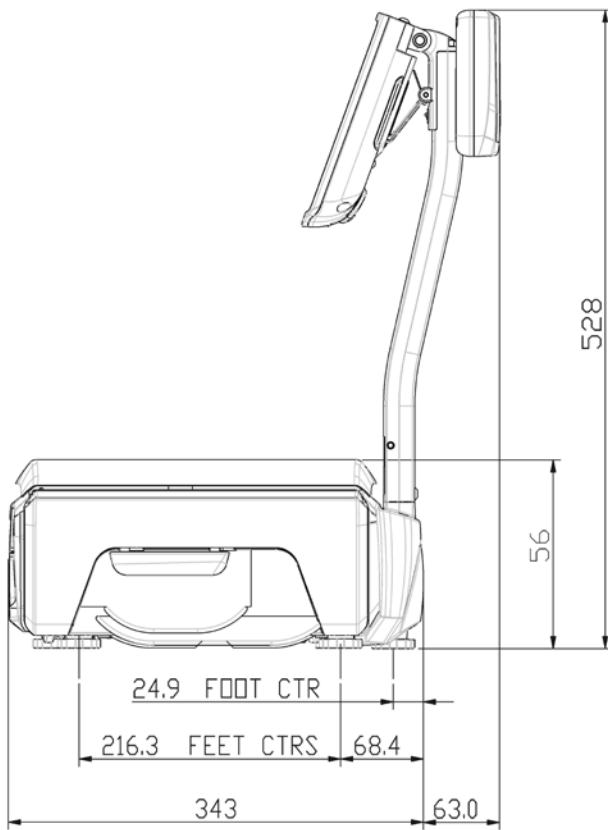
Dimensions - XT_i300/XT_x300





XT Series

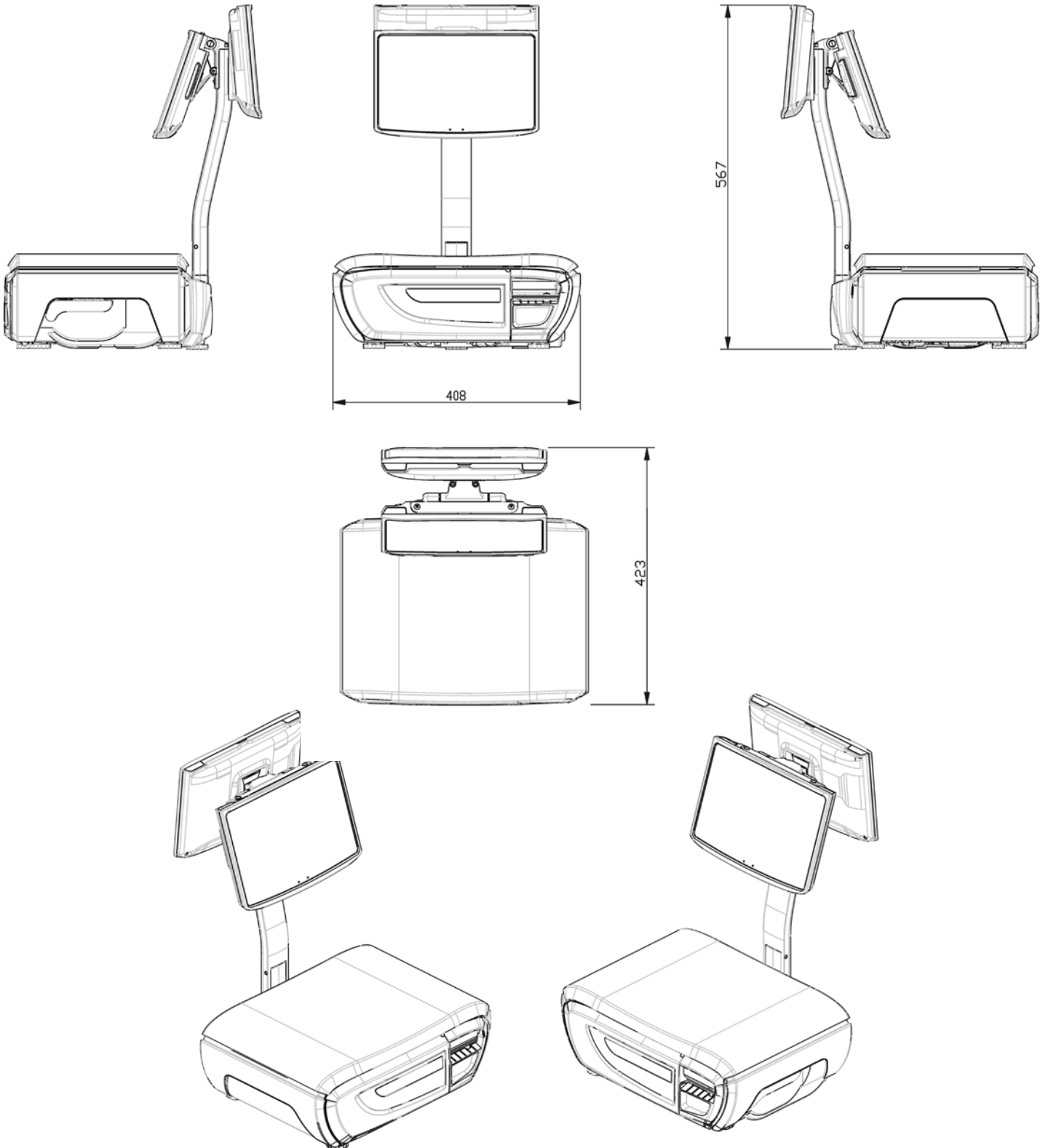
Dimensions - XT400





XT Series

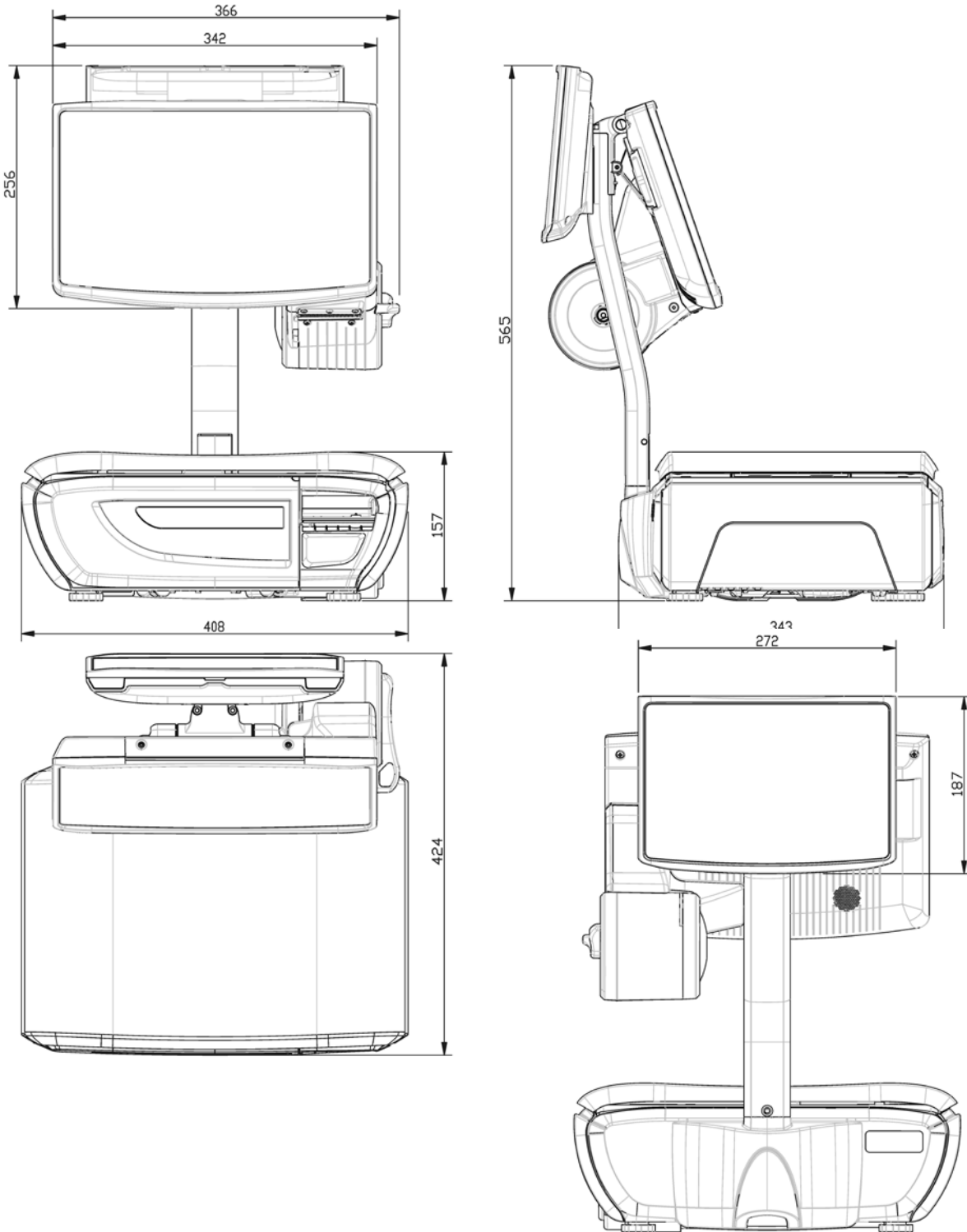
Dimensions - XTi400





XT Series

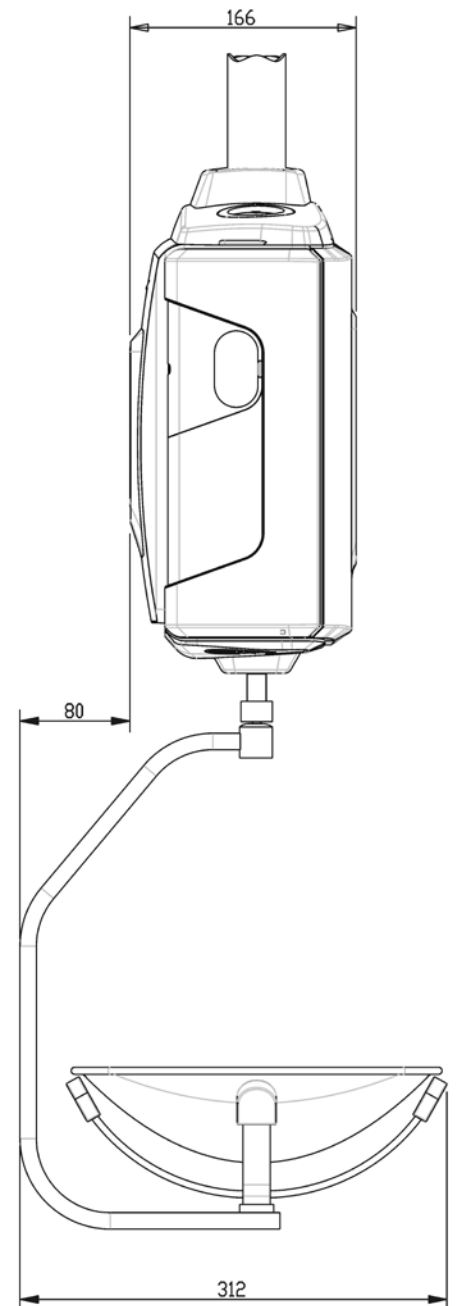
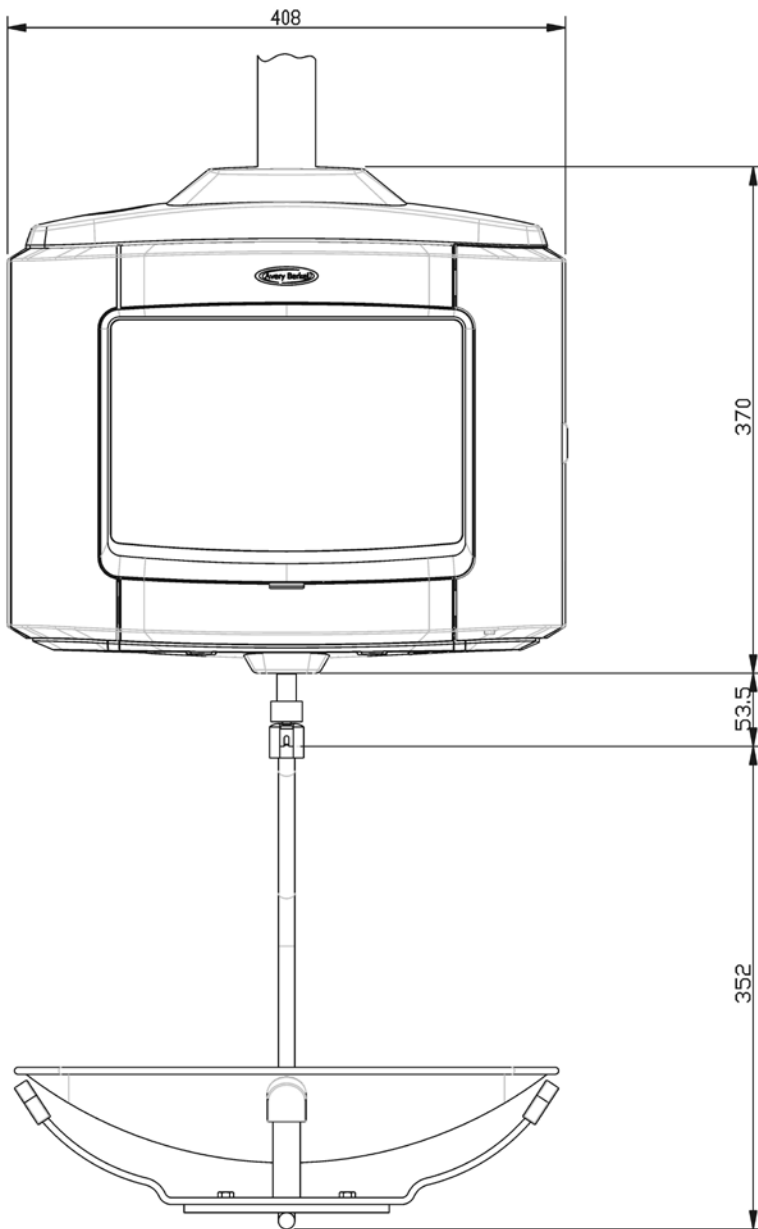
Dimensions - XT_s420/XT_i420/XT_x420





XT Series

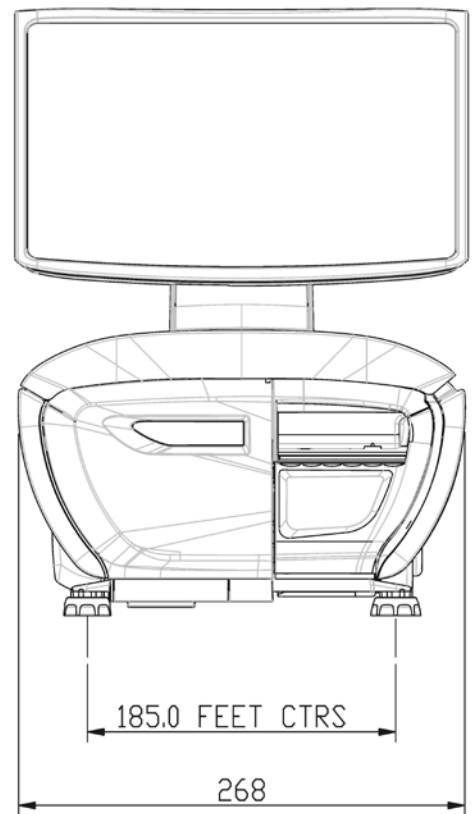
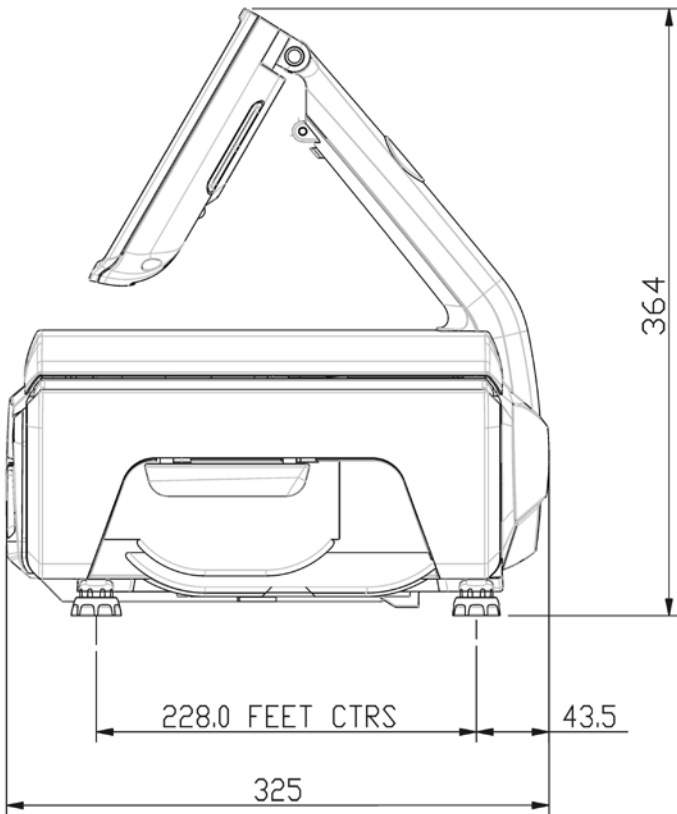
Dimensions - XT500





XT Series

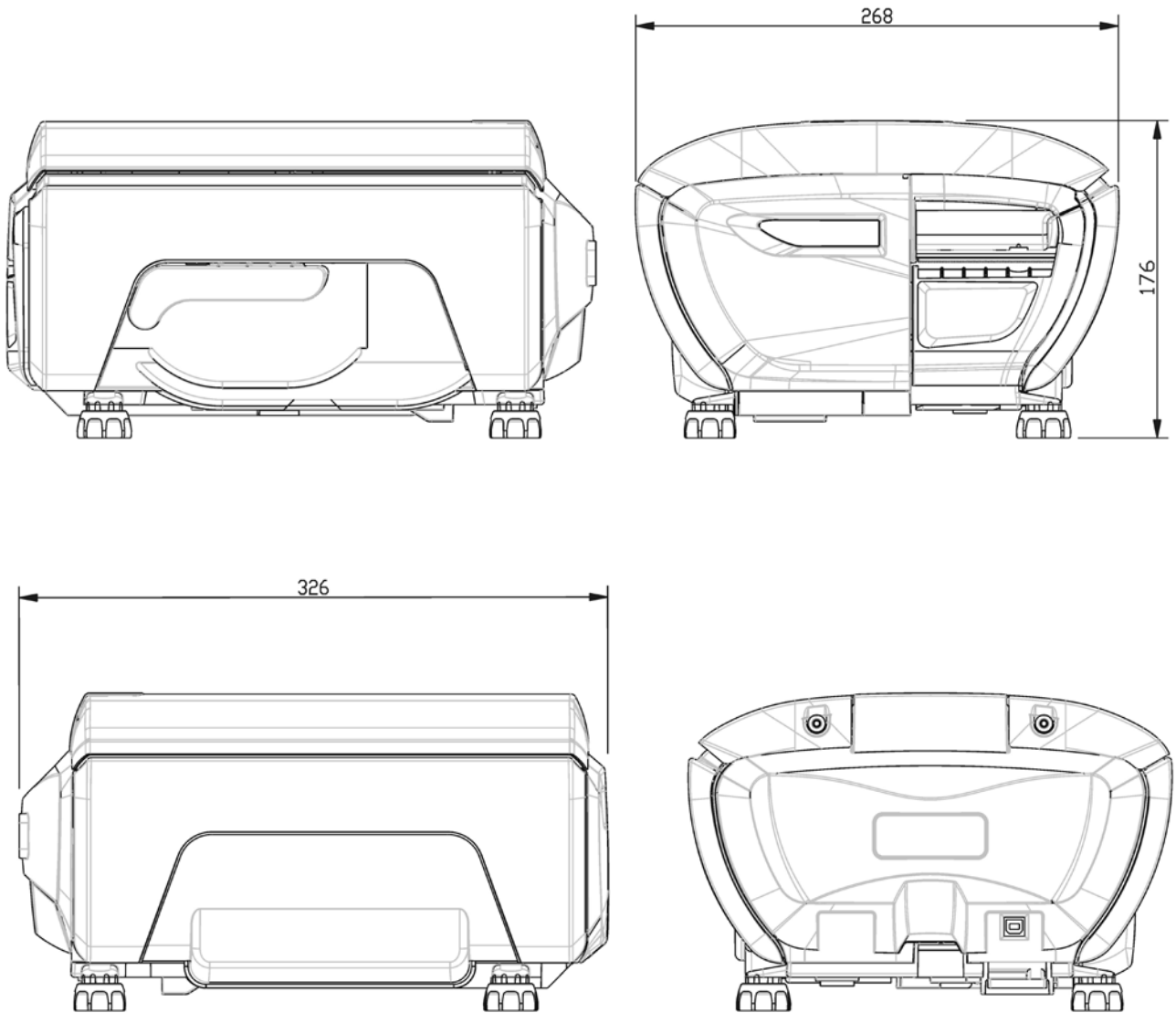
Dimensions - XT600/XTi600





XT Series

Dimensions - XT700



XT Series



© Avery Berkel 2016. All rights reserved. This publication is issued to provide outline information only which, unless agreed in writing by Avery Berkel, a division of ITW Limited, may not be regarded as a representation relating to the products or services concerned. Avery Berkel, a division of ITW Limited, reserves the right to alter without notice the specification, design, price or conditions of supply of any product or service.

Foundry Lane, Smethwick
West Midlands, England B66 2LP
Tel: +44 (0)870 903 2000
Fax: +44 (0)870 904 2223
Email: info@averyberkel.com
Internet: www.averyberkel.com